

DBL 103

FIRE PLAN

Breathing Apparatus 

Co2 Extinguisher 

Dry Chem Extinguisher 

Emergency Eye Flush Station 

Emergency Fuel Shutoff 

Emergency Shutdown 

Fire Axe 

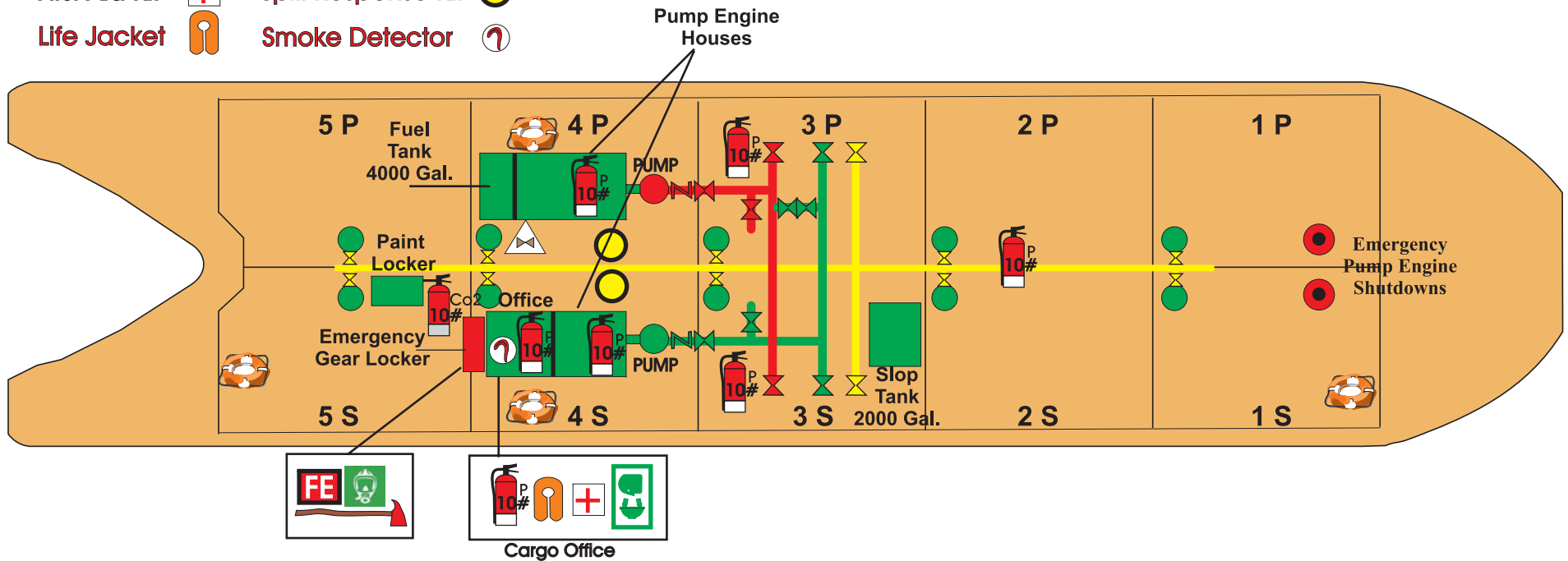
Life Ring 

First Aid Kit 

Spill Response Kit 

Life Jacket 

Smoke Detector 



Cargo Office

399'11" X 74' X 25'
 OPA 90 DOUBLE HULL BARGE
 YEAR BUILT : 2005
 OFFICIAL No.1170633
 IMO # 9347700
 GROSS TONS: 6,214
 PUMPS - 2 DEEPWELLS

CAPACITY - 106,451 BARRELS
 @ 100%

1 PORT - 10,238	1 STARB - 10,238
2 PORT - 10,835	2 STARB - 10,835
3 PORT - 10,835	3 STARB - 10,835
4 PORT - 10,835	4 STARB - 10,835
5 PORT - 10,482	5 STARB - 10,482



K-Sea Transportation Inc.