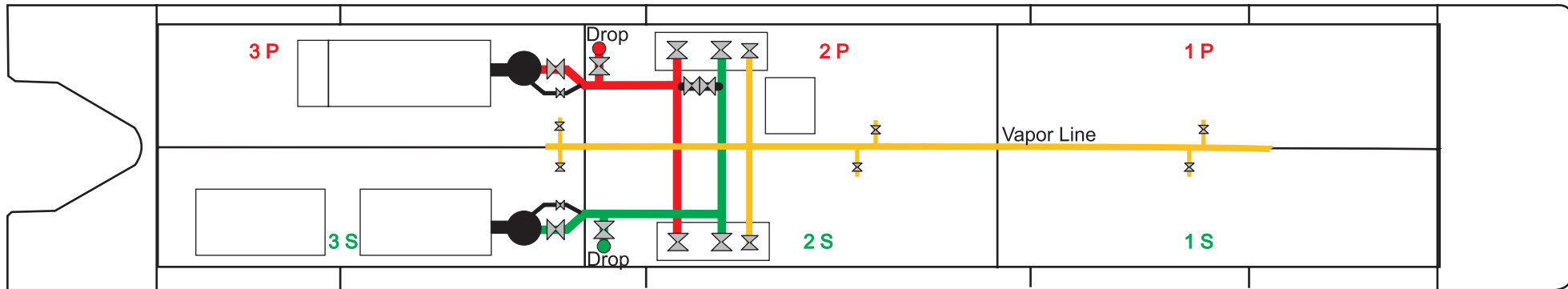


# DBL 23



297'6" X 54' X 13'  
 Double Hull Barge  
 Year Built : 2007  
 Bollinger Hull 518  
 Official No. 1203120  
 Gross Tons: 1754  
 Pumps - 2 Deepwells

CAPACITY - 28,000 BARRELS @100%

1 PORT - 4,850.4	1 STARB - 4,850.4
2 PORT - 4,486.2	2 STARB - 4,486.2
3 PORT - 4,697.1	3 STARB - 4,697.1

Loaded Draft 11.9'

